



- **2 MHz to 30 MHz frequency coverage**
- **Efficient - tuned on each frequency**
- **Memory channel operation**
- **ALE compatible**
- **Frequency-hopping compatible**

The Barrett 4011 automatic antenna tuner is designed for operation in both land mobile and base station installations. Housed in a fully weatherproof enclosure the 4011 will efficiently tune long wire antennas up to a length of 10 metres, wire loop antennas or whip antennas over a frequency range of 2 to 30MHz. Tuning is rapid, typically less than one second from the first time RF is applied, either whilst the operator is talking or when the "Tune" control is activated on the transceiver.

The 4011 tuner features a memory facility that stores the configuration required to tune to a frequency. On any subsequent use of that frequency the 4011 reconfigures to the stored settings in typically less than 130 milliseconds. Following initial tuning the antennas VSWR is monitored. If any significant variation occurs the 4011 will re-tune the antenna automatically.

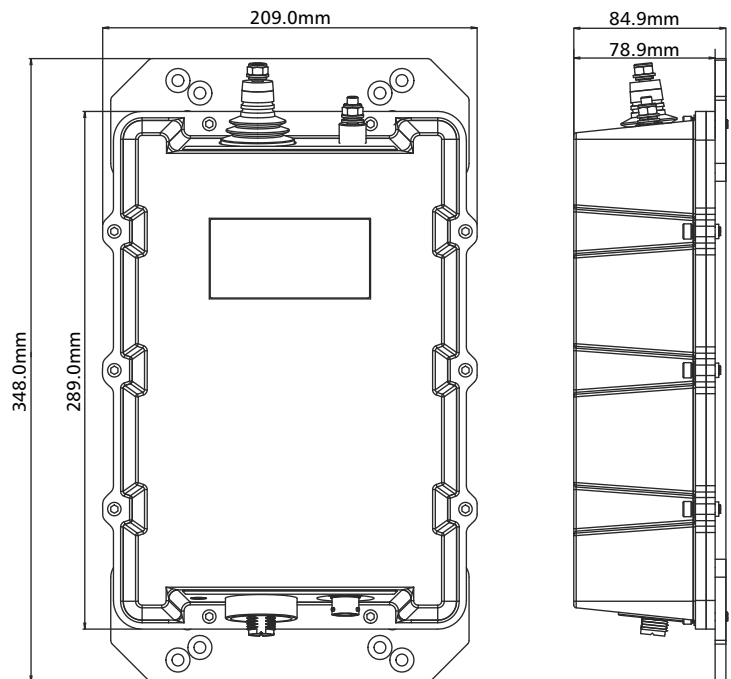
The 4011 is supplied complete with coaxial/control cable having an overall length of 6 metres (P/N 4019-00-02). The cable is a composite design incorporating coaxial, power supply and control cables.



Barrett 4011 Antenna tuner shown as part of the Barrett 4017 Automatic tuning horizontal dipole antenna system. Barrett Communications part number BC401100

General Specifications

Frequency Range:	2 - 30MHz continuous
Input Impedance:	50 ohms
Power Rating:	150W PEP
DC input requirements	+13.8 V DC (Derived from 2000 or 4000 series transceiver via integral RF control cable)
Power consumption	Tuned Typically 400mA Tuning <800mA
Tuning time	First tune - Less than 1 seconds - typical From memory - Less than 130 mS - typical Memory addresses unlimited
Memory addresses	Unlimited
Ingress Protection	To IP67 (dust and water)
RoHS2	Complies with Directive 2011/65/EU
Protection	Open circuit antenna Short circuit antenna Over temperature High VSWR Voltage transients
VSWR Typically	1.5:1
EMC	Compliant
Case construction	Diecast aluminium alloy
Colour	Black
Weight	2.4kg



BCB40110/3

Head Office:

Barrett Communications Pty Ltd
47 Discovery Drive, Bibra Lake,
WA, 6163 AUSTRALIA
Tel: +61 8 9434 1700
Fax: +61 8 9418 6757
Email: information@barrettcommunications.com.au

ISO 9001
BUREAU VERITAS
Certification

