



Features

- **Programmable 4-Frequency Control**
- **Monitor**
- **Intercom**
- **Multiple Parallel Deskset Support**
- **Selectable Parallel Transmit Audio Mute**
- **Selectable DCLOTL**
- **Selectable Off-Hook Speaker**
- **Front Panel Audio Mute/Unmute**
- **Adjustable Receive Input Sensitivity and Transmit Output Level**
- **Line Receive and Transmit Compression**
- **Built-in Microphone and Speaker**



Applications

- Police, Fire, Ambulance
- Utilities, Taxis, Airlines
- Forestry, Parks and Recreation
- Industries, Municipalities, Construction
- Security and Public Safety

The **IDR1000A DC Remote Deskset** provides radio system control from a remote location. Changes in DC current through a telephone line tell the remote adapter to control radio functions such as transmit, channel changes, and monitor. Receive audio from the radio system is sent to the IDR1000A from the radio via the same telephone line connection. The IDR1000A must be connected to a DC remote adapter, such as a GAI-Tronics model IDA1000A, located at the radio site.

The deskset is equipped with a programmable 4-frequency function control that allows each function key to be programmed for one of 56 dc currents. The intercom feature allows deskset users to communicate with each other without tying up valuable frequency

time. Parallel transmit audio allows the user to hear audio transmitted by another desk set. A selectable DCLOTL (DC Line Operated Transmit Light) indicates that a parallel-connected deskset is transmitting. An adjustable receive input sensitivity and transmit output level provides flexibility with different radio systems and user environments where radio output levels, line losses, and noise factors vary. Receive and transmit compression automatically normalizes varying input and output levels caused by system factors.

Each unit also includes a power supply, handset, built-in microphone and speaker. Front mounted controls and adjustments allow for easy installation and operation.

DC Remote Deskset

IDR1000A

Specifications for IDR1000A

Color Black
 Physical Size 7.6"W x 8.9"L x 4.7"H
 Weight 2.4 lbs.
 Temperature Range -35° to +70°C
 Humidity 95% at 50°C (non-condensing)
 Line Impedance 600 ohms nominal
 Power Input 10.5 - 16 V dc; 400 mA maximum
 Nominal Input Level -10 dBm
 Nominal Output Level Range -25 to 0 dBm, -10 dB
 Range -15 to + 5dBm into 560 ohms
 Frequency Response ±3 dB from 300-3000 Hz
 Hum and Noise Less than -45 dB below rated outputs
 Audio Output to Speakers 1 watt minimum with
 level in compression range
 Audio Distortion Less than 3% THD

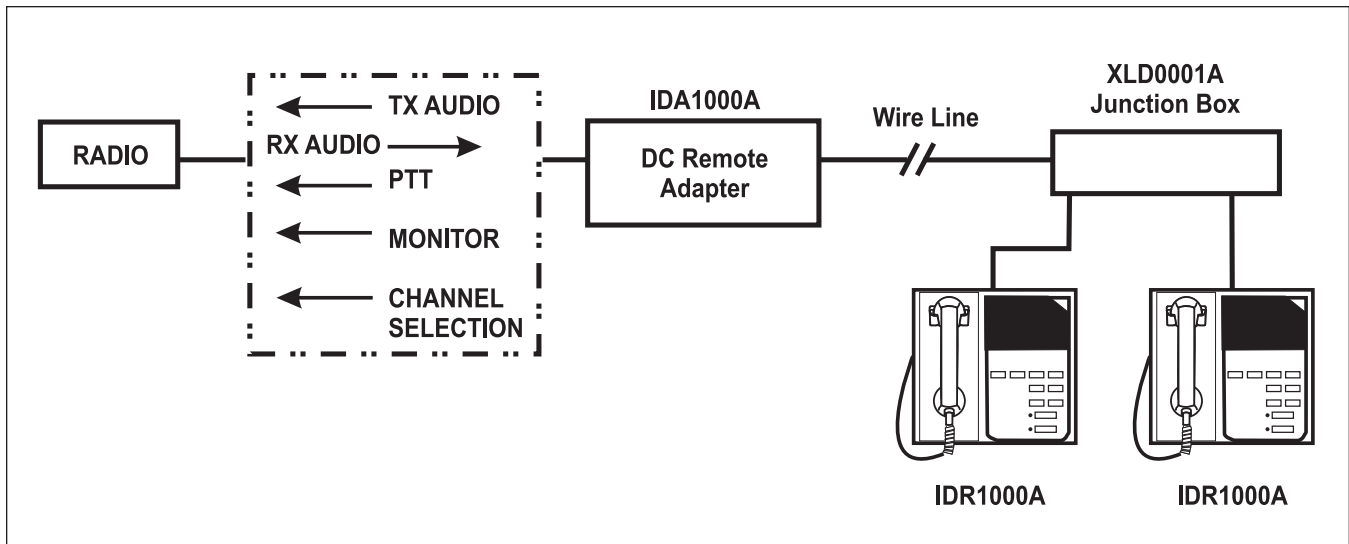
Maximum Number of Remotes Per System Limitations
 DC Current Defaults

F1 5.5 mA
 F2 12.5 mA
 F3 5.5 mA
 F4 -12.5 mA
 Monitor (Programmable) -2.5 mA

Note: Each button listed above can be programmed from
 -14 to +14 mA in 0.5 mA increments.

Safety Class III SELV equipment
 Powered by UL-Listed (E104603)
 and CSA certified (LR67888) ac adapter
 Line Interface FCC Part 68 Exempt
 (Category II Tariff #260 service for
 private/leased line application)

System Diagram



Accessories and Options

IDA1000A DC Remote Adapter
 XLD0001A Junction Box
 40419-014 Replacement Power Supply
 XAAB002A Audio Accessory Box

XDM004A Desk Microphone
 XFS002A Dual PTT & Monitor Footswitch
 XDM005A Desktop Gooseneck Microphone
 XHS003C / XCC004A Headset and Adapter Cable

Note: Models XHS003C, XDM004A, XFS002A, and XDM005A Require XAAB002A Audio Accessory Box.

Call Customer Service (1-800-492-1212) For Application Assistance and Pricing. Specifications Subject To Change Without Notice.

GAI-TRONICS 

Toll Free: 1 (800) 492-1212 Tel: (610) 777-1374
 Fax: (610) 796-5954 www.gai-tronics.com

Quality Management System Certified by DNV-GL - ISO 9001:2008. The policy of GAI-Tronics is one of continuous improvement; therefore the company reserves the right to change specifications without notice.



Pub. 011202 Rev2. 1/2018