



The Barrett 4050 Control Handset is a further enhancement to the versatility of the Barrett 4050 HF SDR Transceiver. It combines smartphone-style ease-of-use with the touchscreen intuitiveness that users of the Barrett 4050 HF SDR Transceiver are familiar with. The streamlined design - including a built-in microphone and loudspeaker - makes the 4050 Control Handset the perfect substitution for the Barrett 4050's control head in mobile installations. Its unobtrusive size easily mounts to a vehicle dashboard or vessel helm. A quick release attachment makes removing the handset a simple and uncomplicated one-hand operation.

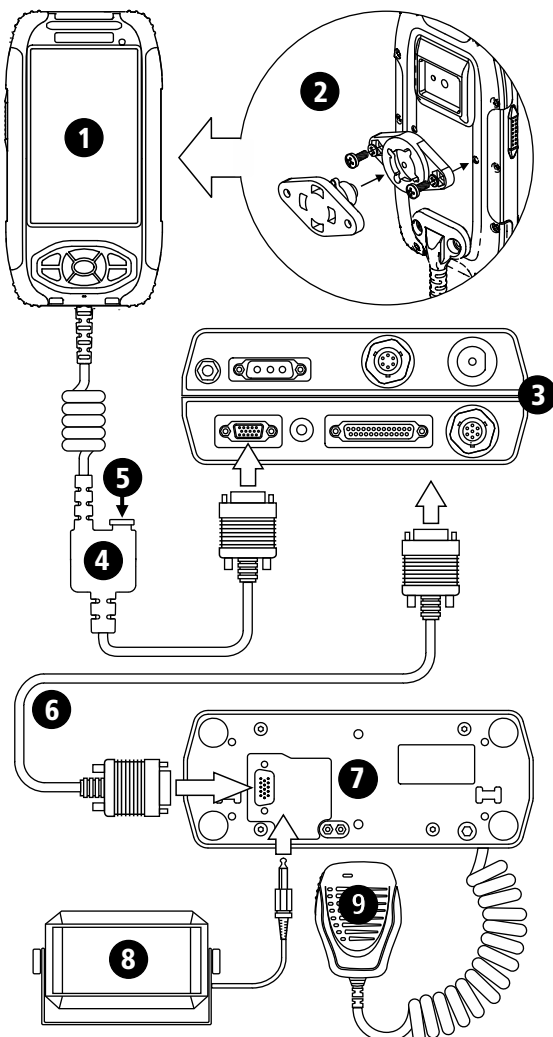
The Control Handset can connect to both the front and rear of the transceiver and be used as the primary control interface, completely replacing the standard 4050 HF SDR Transceiver front control panel or as a secondary interface in conjunction with the standard control panel.

Connected to the transceiver body by a 6m cable – incorporating an auxiliary speaker jack - the handset display incorporates a super bright, high definition, 24-bit colour touchscreen which provides optimal viewing ability in all lighting conditions.



The 4050 HF SDR software has four separate theme modes for use in different ambient light conditions. The screen can also be turned into landscape format via the user interface, if required.

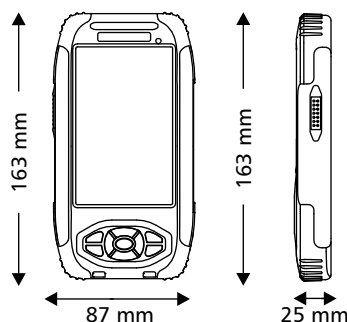
### Dual-Control Configuration Example



- 1 4050 Control Handset - Includes integrated PTT button, touch screen, keypad, GPS receiver and internal speaker (P/N BCA40500)
- 2 Control Handset EZ - On/Off RAM MOUNT™ (P/N BCA40503)
- 3 Barrett 4050 HF SDR Transceiver (rear) (P/N BC40500)
- 4 Control Handset Cable 6m (P/N BCA40502)
- 5 External speaker input
- 6 Control head cable 6 metres (P/N BCA40005) to front of transceiver
- 7 Barrett 4050 HF SDR Transceiver control head (rear view)
- 8 External speaker (P/N BCA40015)
- 9 Hand microphone (P/N BCA40010)

Please note some items shown in this example are optional depending on which package is purchased. See ordering information sheets for details.

### 4050 Control handset dimensions Weight 0.25 kg



**Head Office:**  
 Barrett Communications Pty Ltd 47 Discovery Drive,  
 Bibra Lake, WA, 6163 AUSTRALIA  
 Tel: +61 8 9434 1700  
 Email: info@barrettcomms.com

